



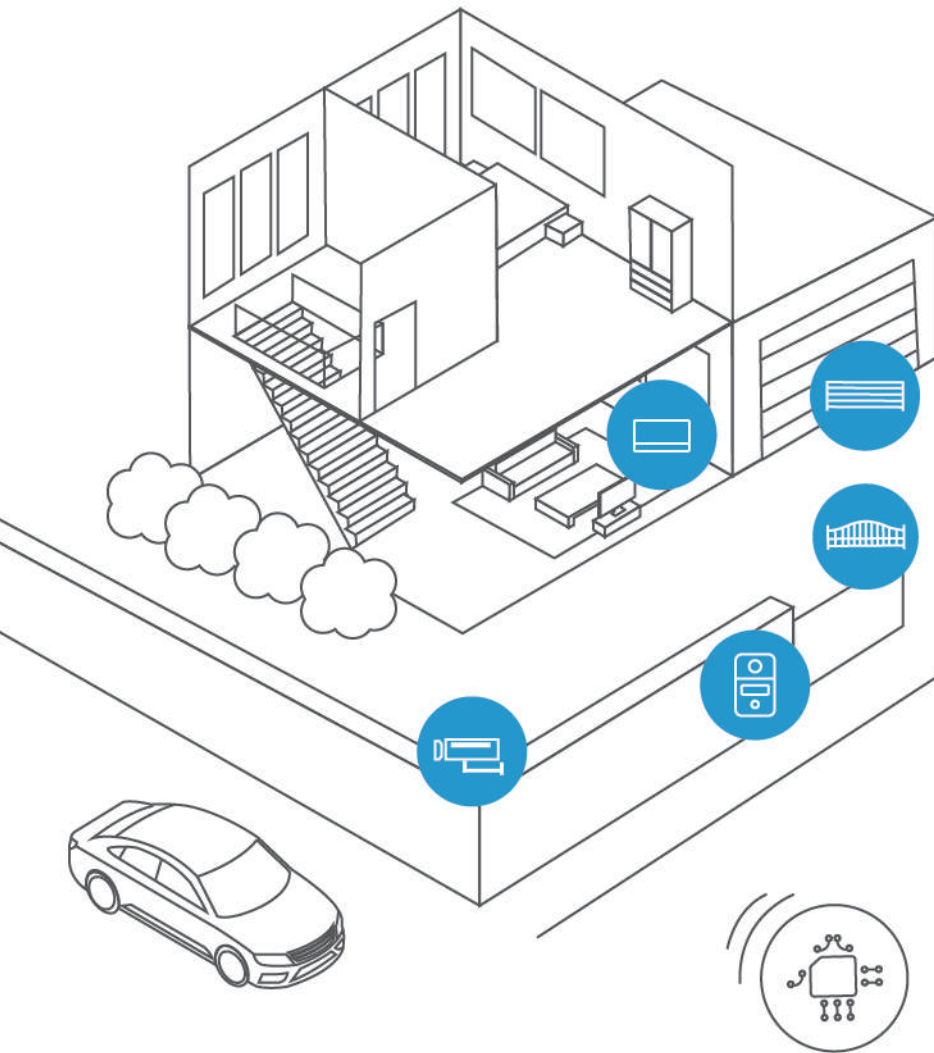
POWERTECH



UNLOCKING THE FUTURE

Gate Opener Revolution with **AI** Solutions.

CONTENTS



ABOUT US

ABOUT US

POWER COLLECTION

SMART Wi-Fi /BLUETOOTH DEVICE-WBT

Eyeopen APP

P.3-8

P.3

P.5

P.6

P.7-8

IoT SOLUTION

Biitween / Biibell / Biicam

ChowBOX

P.9-12

P.9-10

P.11-12

SELECTION GUIDE

SELECTION GUIDE

P.13-14

P.13-14

AUTOMATION FOR SWING GATES

PW150/200

PW320 SERIES

PW330 SERIES

PW530/L

PA250

PWA310 SERIES

PU350

P.15-30

P.17

P.19

P.21

P.23

P.25

P.27

P.29

AUTOMATION FOR SLIDING GATES

PL500/800

PL500 SPEEDY

PSA SERIES

P.31-38

P.33

P.35

P.37

AUTOMATION FOR GARAGE DOORS

PG100 SERIES

PG200 SERIES

P.39-44

P.41

P.43

AUTOMATION FOR ROLLING GARAGE DOORS

PM60

P.45-48

P.47

ACCESSORIES

P.49-54



ABOUT us

3 Powertech Automation Inc is dedicated to gate automation and AI solutions.

Taiwan's leading manufacturer of gate openers, dedicating ourselves to become the AI integrated solution provider to all families, We specialize in the field of designing and manufacturing automation systems for residential gates and garage doors.

With our expertise of AI technology, we offer innovative, reliable, and easy-to-install products.

Unlocking the Future : Gate Opener Revolution with AI Solutions.

With Artificial Intelligence being applied in all fields of our life, Powertech's R&D team devotes themselves into the new era of AI integration system of gate automation, enhancing Powertech to an unprecedented level.

We can extend our core competence to next generation.

AI technology makes the usage of gate automation more convenient, more secure, and more adaptive, simply through the smart devices and our in-house developed software.

Excellence Begins with Quality

Our commitment to quality is also our priority, as all of our production is certified by ISO 9001.

Our products bearing the CE mark have been tested in accordance with European requirements and with other internationally recognized standards.

High-Quality Manufacturing Production

Equipped with cutting-edge production machinery, and with over 25 years of expertise in gate opener manufacturing, we are committed to providing you superior quality.

2 Million
Units

Sold Worldwide

80+
Countries

With Our Global distributions

90 %

Key components made in-house

25 +
Years of

Experiences in gate automation industry

WE SERVE OVER 80 COUNTRIES



- 2009** Foundation of Powertech Automation Inc.
- 2010** Product Launch: PW330 & PW320, first swing gate automation model.
- 2011** Product Launch: PL1000 , sliding gate automation.
- 2012** New series of sliding opener, PL500, shown in R+T Stuttgart
- 2013** Accumulated sales of 150,000 gate openers globally
- 2014** Distribution channel expanded to 45 countries.
- 2015** Product Launch: PG100, first garage door opener.
- 2016** The leading asian company to develop smart control solution by EyeOpen APP.
- 2017** Product Launch: PSA, first AC sliding gate automation.
- 2018** Accumulated sales of 1,000,000 gate openers globally
- 2019** The branch in Melun, France is established.
- 2020** The innovative integration of IP camera, smart phone control, and gate openers
- 2021** 100 distributors worldwide and 200,000 families enjoys Eyeopen smart control solution
- 2022** Product Launch: PWA300, first AC swing gate automation.
- 2023** The first underground swing gate opener, PU350, launched



POWER COLLECTION



IoT SOLUTION

P.11



AUTOMATION FOR SWING GATES

P.15



AUTOMATION FOR SLIDING GATES

P.27



AUTOMATION FOR GARAGE DOORS

P.37



AUTOMATION FOR ROLLING GARAGE DOORS P.41

REDEFINING THE WAY TO

OPEN

YOUR GATE

SMART DEVICE WBT MODULE (Bluetooth & Wi-Fi)

The smart device - WBT provides multiple ways to connect to your gate automations via RF, Bluetooth, and Wi-Fi. Not only features an intuitive solution to control your gates but also provides the ideal solution for advanced management to professionals.



Check gate status anywhere

You can check the status of each gate at your residence via smartphone.

Easy to set-up

No need to worry about the weak Wi-Fi signal. Bluetooth connection makes the operation easier and more stable.

Warranty period

With the traceable UID of every WBT module, the warranty period starts only once the WBT has been activated.

EYEOPEN PROVIDES YOU THE PERFECT EXPERIENCE LIKE NO OTHERS

We strive to create solutions that help make the gate opening experience easier and better. Our Eyeopen APP can be remotely connected to deliver a convenient solution. Integrated on a single platform for all automations of swing gate, sliding gate, and garage door. It's easy to adopt and efficient to operate.

WHAT Eyeopen OFFERS YOU

Custom settings are available for a number of parameters.

Eyeopen allows you to manage multiple gate openers in your hand. Through BiiCAM and BiiBell, you can monitor the real-time situation of your residence for both indoor and outdoor. With just one tap, you can set your mind at ease.

NEW TO Eyeopen ?

Upgrade your gate openers with Eyeopen

If you never thought about controlling your gate opener by smartphone, we offer you a new alternative, WBT module with Eyeopen APP, to upgrade your existing POWERTECH gate openers.

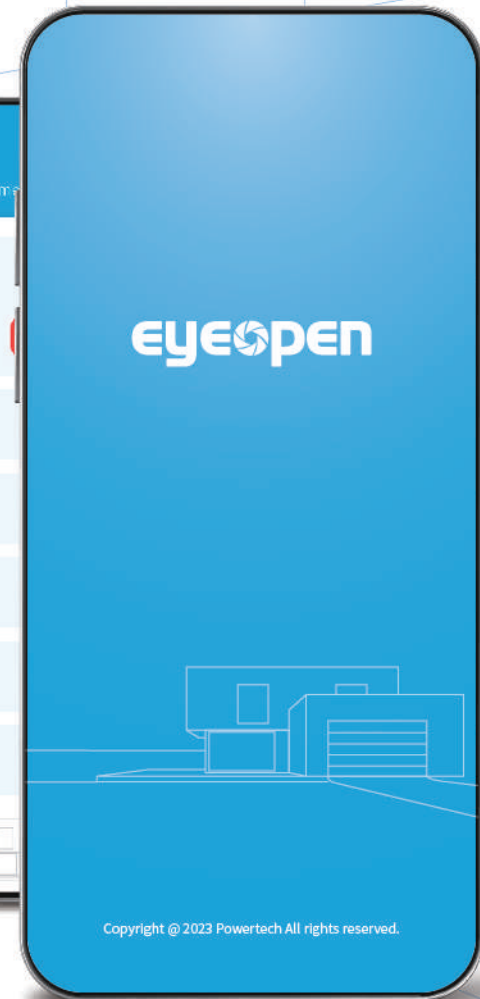
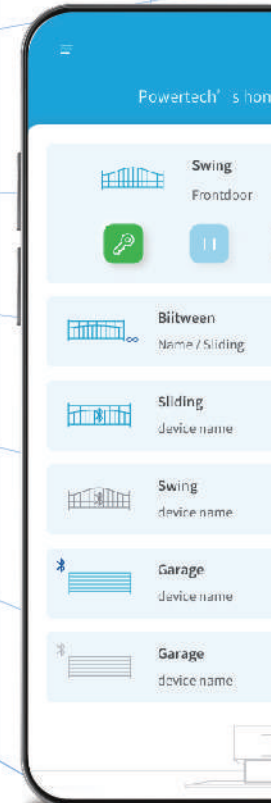
If you are totally new to POWERTECH, we are still able to upgrade your gate openers. By simply connecting to Biiween, your gate opener becomes a smart device ! Through WiFi or Bluetooth technology, Biiween can be applied on any gate automation through push button functioned terminals.

It offers three sets of connection for your residence. You can upgrade your swing gate, sliding gate and garage door opener at once with just one Biiween.





Initial max.10 users of each device.
The addition requirement can be
subscribed in Eyeopen.





Biitween
Biicam
Biibell

CONNECTING ALL POSSIBILITIES.

Worrying about when the kids are getting home? Now you may connect single or multiple IOT products via Eyeopen – even without any Powertech gate automation installed, our Bii-series IOT products allow you to enjoy a completely safe home.



Share access



Push notifications

By sharing access with family members with customized permissions, you may define who gets access from our Eyeopen APP.



Download on the App Store

GET IT ON Google Play



Biitween

With Biitween, you can upgrade all your gates to Wi-Fi / Bluetooth enabled smart and have simple controls on one single APP- Eyeopen.

Biitween comes with 10 free users.

The owner can assign different levels of access authority to others based on their demands.

DI-01

350°



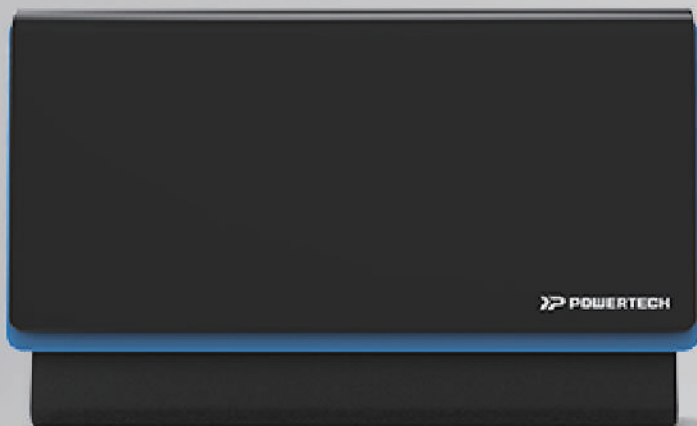
SUPPORT PRIVATE MODE



Biibell



Biitween



BO-01  IP66



DO-01



PAIR WITH Biicam SERIES OR Biibell FOR A THOROUGH SAFETY EXPERIENCE

Biibell (IR 5m / view angle 150°)

With Biibell you can upgrade your electronic lock into a smart device, then you will be able to open your door by smartphone or RFID card.



Motion detection

Built-in PIR sensor for motion detection.



Two-way audio

Even if you are not at home, it wouldn't be a problem to have conversation with your visitors.

Biicam



Motion detection

Biicam can send notifications to your phone when certain events are triggered, and these events will be saved in the video timeline for you to review.



Night vision

Built-in high performance IR LED provides illumination up to 25m distance at night.



FULL HD 1080P

With 100° wide angle lens captures high resolution image and video.



Two-way audio

Real-time intercom, built-in microphone and speaker. To speak to the visitor freely via BO-01.



ChowBOX

NEW LAUNCH

ChowBOX is an access control device designed for enterprise management. It is designed with advanced technology and features, including a waterproof casing that ensures optimal functionality even in adverse weather conditions. Whether it's installed in a residential setting or a commercial property, you can rely on the durability and reliability of our waterproof ChowBOX. No matter you are using it nearby or remotely, it provides peace of mind, knowing that your gate opening system will operate flawlessly, rain or shine, safeguarding your premises effectively.

ChowBOX offers multiple connection methods.

ChowBOX can be connected through Wi-Fi, an RJ45 Ethernet cable, or Bluetooth. Users can then use our Eyeopen APP for control.

It can be easily switched between these options based on the user environment. Last but not least, ChowBOX also supports controlling the gate opener with a remote control.

All-in-one

There are four relays that can be combined with various types of gate control systems, including AC roller shutters, DC roller shutters, and numerous gate openers.

Access privileges for individual needs.

We offer 10 free user slots for access sharing, which can be used for unexpected events or daily routine needs within the installation area. Settings, such as schedules or certain time period for sharing, can be adjusted according to usage conditions. If more than 10 users are required, it is also possible to obtain more permissions through paid subscriptions.

Supports real-time monitoring.

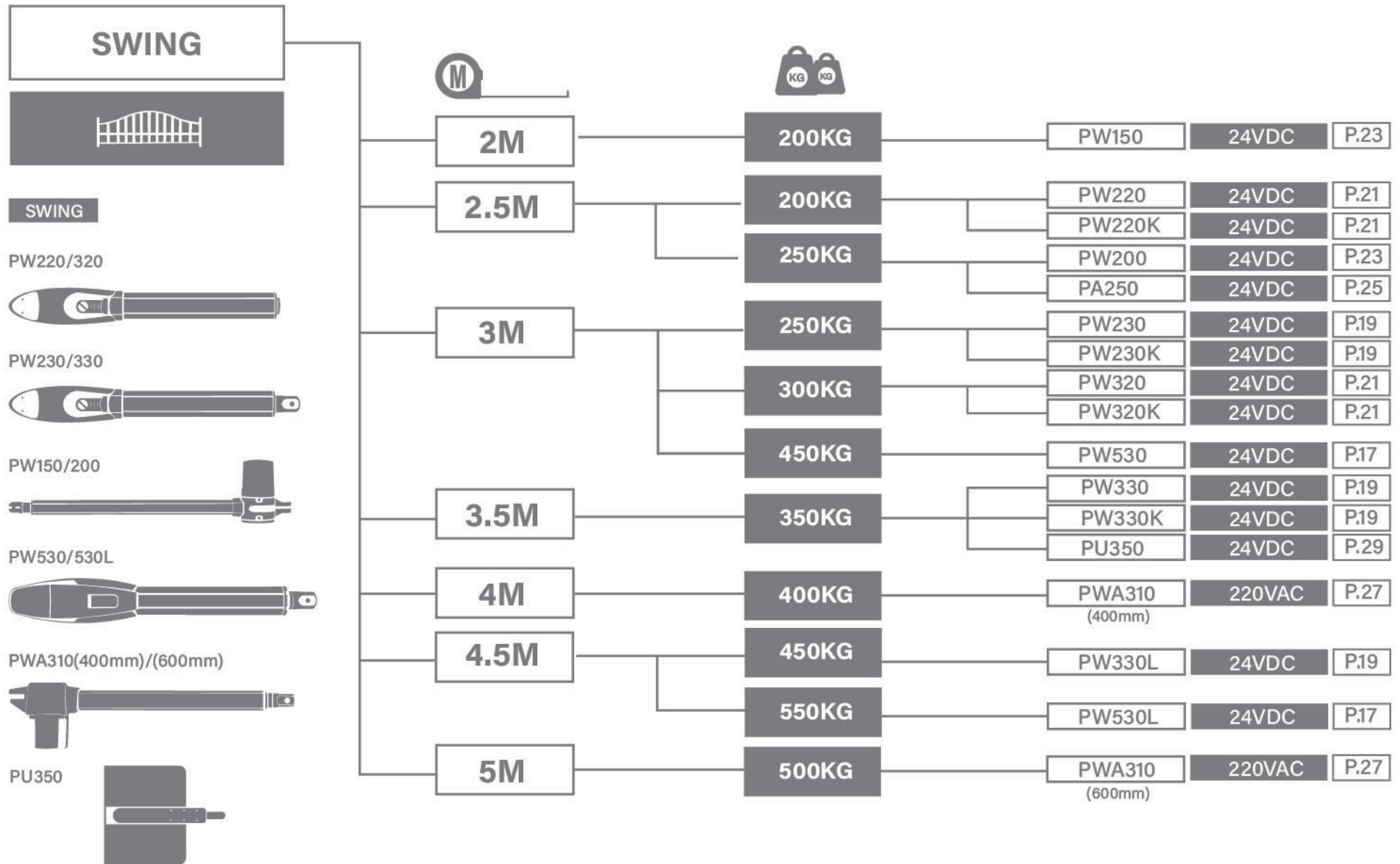
Through our Eyeopen App, it is also possible to pair with Bii Series products such as Biicam and Biibell to expand more functions. Once integrated in the APP, real-time monitoring will no longer be difficult.

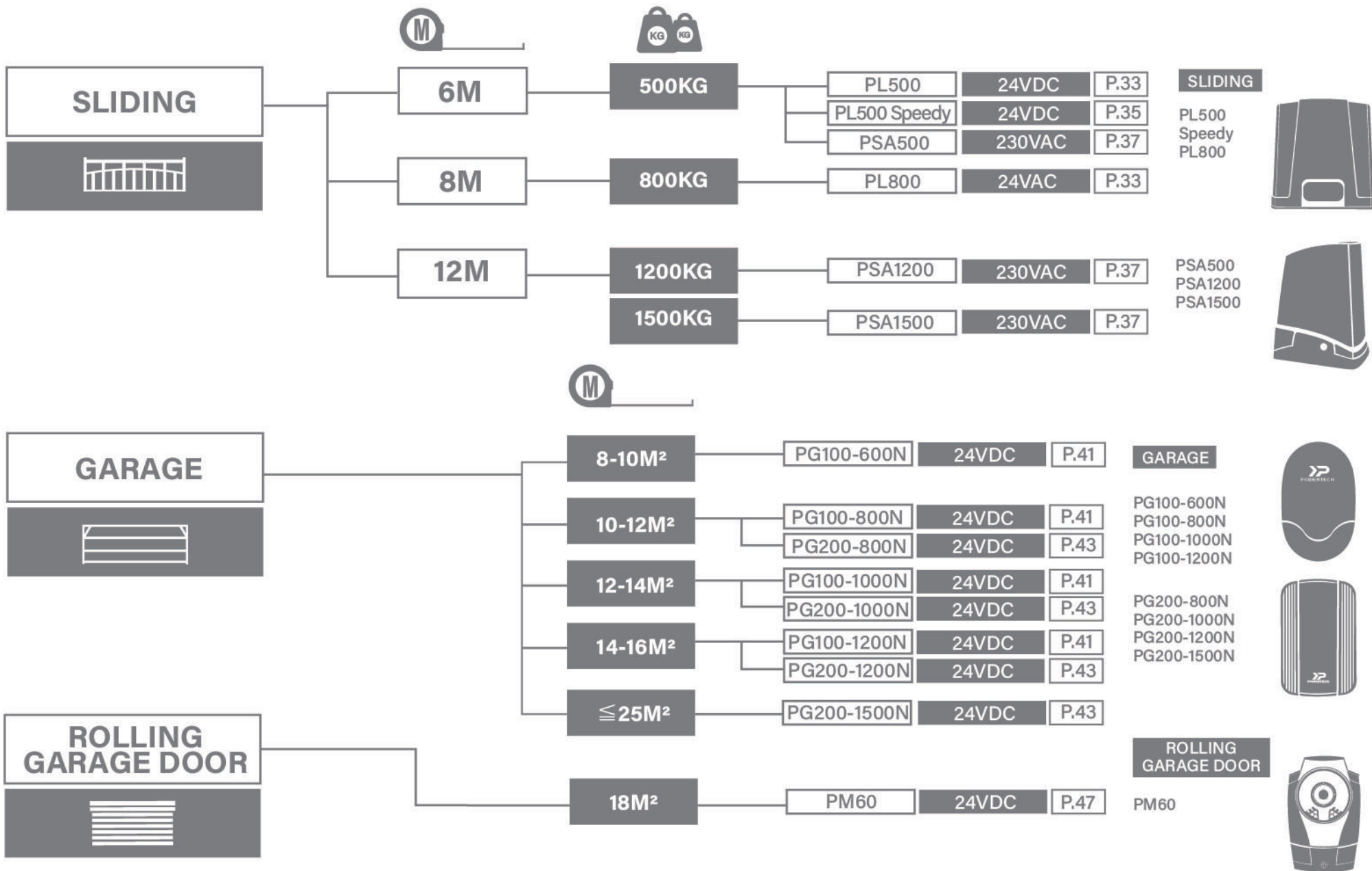
A waterproof and durable product for outdoor usage.

With an IP index up to IP56, this waterproof design guarantees that the control box remains protected from rain, moisture, and other environmental factors.

Microchip	ESP32-WROVER-E-N16R8
Frequency	2.4GHz
Network	RJ-45
Output/Input	Rely x4 Photocell x2 Sensor x1
Button	RF x1 Pair x1 Reset x1
Support protocol	802.11 b/g/n , Bluetooth,BLE
IP Rating	IP56
Size	140x104x44.3mm

SELECTION GUIDE





AUTOMATION FOR SWING GATES

AUTOMATION FOR SWING GATES

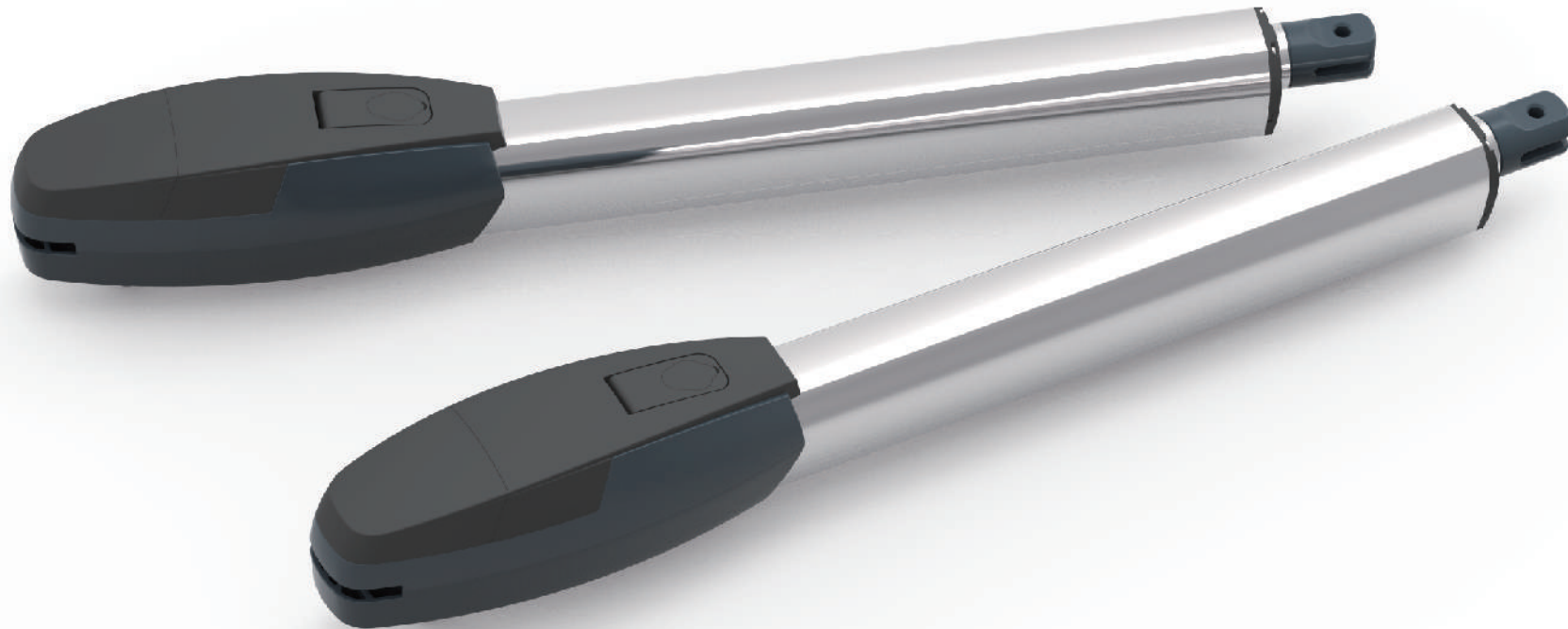




PW530, L



Irreversible electromechanical 24Vdc geared motor for heavy applications



17

Motor	PW530	PW530L
Category	Swing Gate Opener	Swing Gate Opener
Max gate length / Max gate weight	3M/450Kg	4.5M/550Kg
Power Supply	24Vdc	24Vdc
Gear type	Worm gear	Worm gear
Duty Cycle	50%	50%
IP Rating	IPX4	IPX4
Working / Operating temperature	-20~50°C	-20~50°C
Current (A)	6A	6A
Power (W)	144W	144W
Manual release	Key	Key

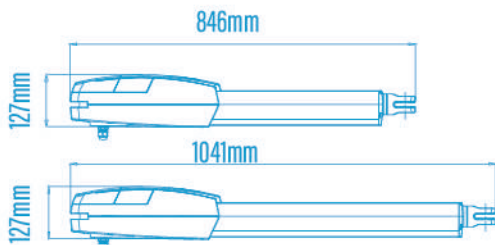
Versatile, Reliable & Durable Over Time

- Designed for heavy swing gate with leaves up to 4.5m and 550kg
- Superior quality with die casting aluminum housing, resistant to atmospheric agents
- Embedded LED indicators for operation status

Practical & Easy To Operate

- Easy access to manual release handle from above
- Automatic memorization of limit switches on opening / closing by learning
- Adjustable opening and closing limit switches
- Back-up battery to ensure operation in case of power failure (optional)
- Large choice of programmable functions

Dimension



Control Box



Photocells



Flashing Light



Transmitter



Battery

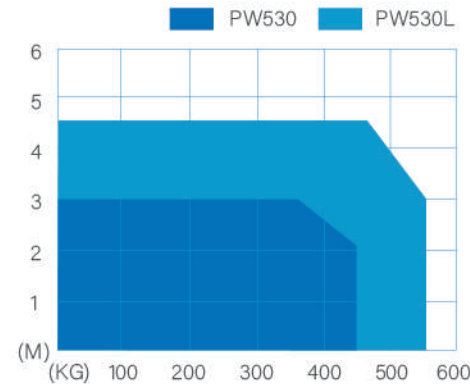
Bluetooth & Wi-Fi control is available .

Compatible with Eyeopen App via WBT module

Connect to the Eyeopen App remotely through Wi-Fi and Bluetooth for control.

Effortlessly share permissions with your family members.

Monitor Powertech's products and manage your gate using your smartphone.



PW330 series



Irreversible electromechanical
24Vdc geared motor for multiple
applications



19

Motor	PW230/230K	PW330/330K	PW330L
Category	Swing Gate Opener	Swing Gate Opener	Swing Gate Opener
Max gate length / Max gate weight	3M/250Kg	3.5M/350Kg	4.5M/450Kg
Power Supply	24Vdc	24Vdc	24Vdc
Gear type	Worm gear	Worm gear	Worm gear
Duty Cycle	50%	50%	50%
IP Rating	IPX4	IPX4	IPX4
Working / Operating temperature	-20-50°C	-20-50°C	-20-50°C
Current (A)	4.2A	6A	6A
Power (W)	100W	144W	144W
Manual release	Tool or Key	Tool or Key	Tool or Key

Practical & Quick Installation

- Designed for swing gates with leaves up to 4.5M and 450kg
- Suited for heavy gates application with increased durability
- Easy installation with a wide range of angle

Safe & Easy To Operate

- Easy access to manual release handle from above
- Deceleration on opening and closing for more safety
- Back-up battery in case of power failure (optional)
- Large choice of programmable functions

Dimension

PW230 / 230K / 330 / 330K



PW330L



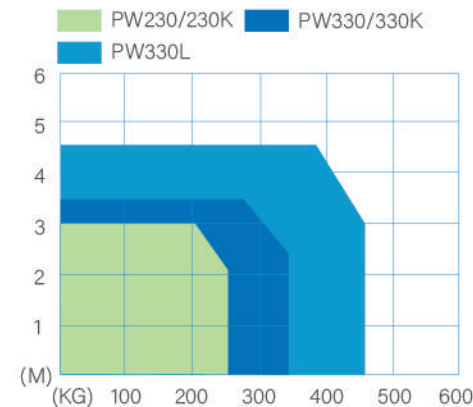
Bluetooth & Wi-Fi control is available .

Compatible with Eyeopen App via WBT module

Connect to the Eyeopen App remotely through Wi-Fi and Bluetooth for control.

Effortlessly share permissions with your family members.

Monitor Powertech's products and manage your gate using your smartphone.



Control Box

Photocells

Flashing Light

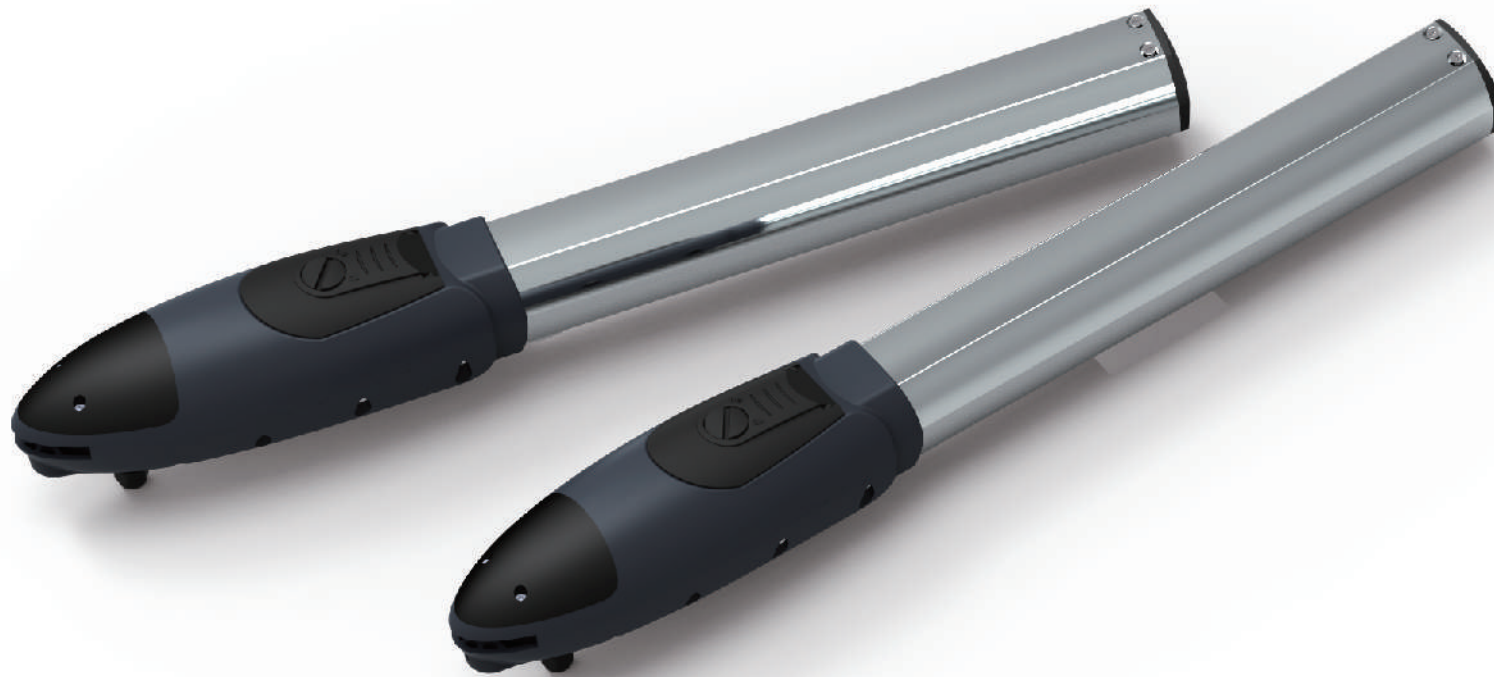
Transmitter

Battery

PW320 series



Irreversible electromechanical 24Vdc geared motor for residential gates



21

Motor	PW220/220K	PW320/320K
Category	Swing Gate Opener	Swing Gate Opener
Max gate length / Max gate weight	2.5M/200Kg	3.5M/350Kg
Power Supply	24Vdc	24Vdc
Gear type	Worm gear	Worm gear
Duty Cycle	50%	50%
IP Rating	IPX4	IPX4
Working / Operating temperature	-20-50°C	-20-50°C
Current (A)	4.2A	6A
Power (W)	100W	144W
Manual release	Tool or Key	Tool or Key

Reliability & Durability Over Time

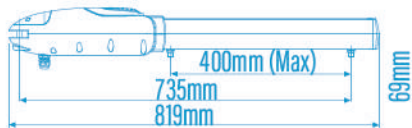
- Designed for swing gates with leaves up to 3.0m and 300kg
- Superior quality building with matte finishing provides additional protection from rust
- Offer stable force output through the linear motor design
- Easy installation with a wide range of angle

Practical & Easy to Operate

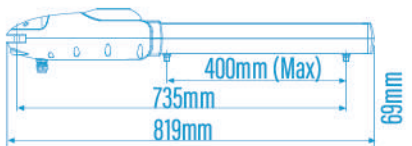
- Two options for release device : tools or keys
- Large choice of programmable functions
- Back-up battery in case of power failure (optional)

Dimension

PW220 / 320



PW220K / 320K



Control Box

Photocells

Flashing Light

Transmitter

Battery

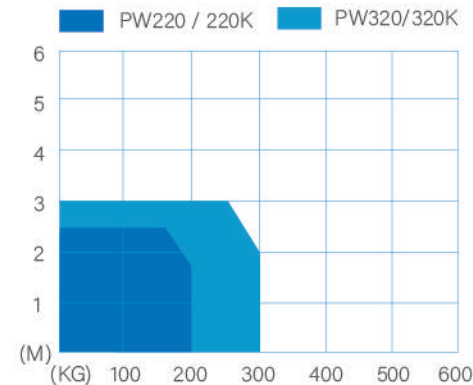
Bluetooth & Wi-Fi control is available .

Compatible with Eyeopen App via WBT module

Connect to the Eyeopen App remotely through Wi-Fi and Bluetooth for control.

Effortlessly share permissions with your family members.

Monitor Powertech's products and manage your gate using your smartphone.



PW150

series



Irreversible linear telescopic 24Vdc operator for light residential gates

23



Motor	PW150	PW200
Category	Swing Gate Opener	Swing Gate Opener
Max gate length / Max gate weight	2M/200Kg	2.5M/250Kg
Power Supply	24Vdc	24Vdc
Gear type	Worm gear	Worm gear
Duty Cycle	50%	50%
IP Rating	IPX4	IPX4
Working / Operating temperature	-20~50°C	-20~50°C
Current (A)	4.2A	4.2A
Power (W)	100W	100W
Manual release	Key	Key

Compact & Streamline Design For Light Gates

- Suited for light swing gates with leaves up to 2.5m and 250kg
- Easy and quick installation due to compact size, silent operation with operating noise less than 60 decibel.
- Motor located on the top for easy maintenance
- 2 options for front attachment : metal or plastic

Practical & Easy to Operate

- Two options available for auto-closing : time limit or photocell trigger
- Easy to operate release handle
- Back-up battery to ensure operation in case of power failure (optional)
- Large choice of programmable functions

Dimension

PW150



PW200



Control Box

Photocells

Flashing Light

Transmitter

Battery

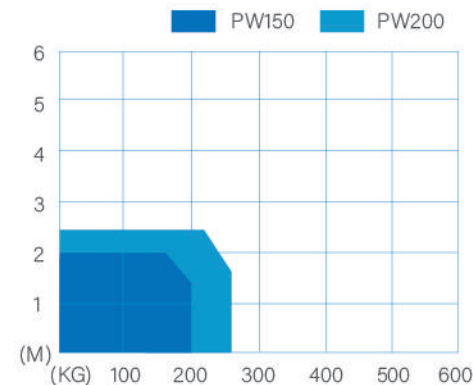
Bluetooth & Wi-Fi control is available .

Compatible with Eyeopen App via WBT module

Connect to the Eyeopen App remotely through Wi-Fi and Bluetooth for control.

Effortlessly share permissions with your family members.

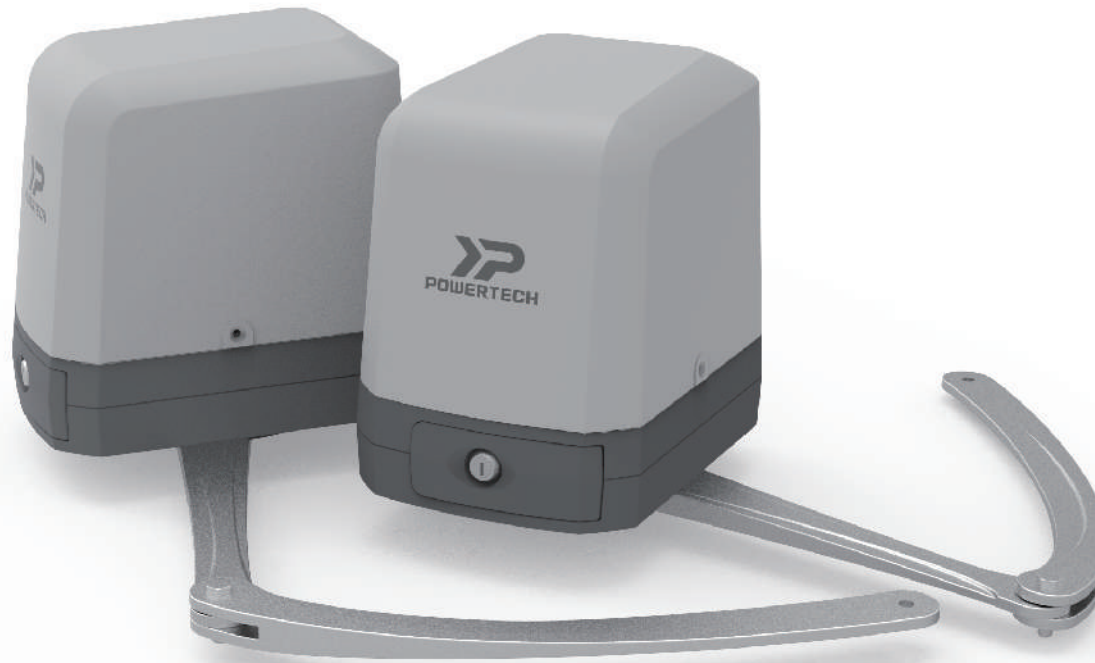
Monitor Powertech's products and manage your gate using your smartphone.



PA250



Irreversible electromechanical 24Vdc geared motor with articulated arms



25

Motor	PA250
Category	Articulated Arm Opener
Max gate length / Max gate weight	2.5M/250Kg
Power Supply	24Vdc
Gear type	Worm gear
Duty Cycle	50%
IP Rating	IPX4
Working / Operating temperature	-20-50°C
Current (A)	5.5A
Power (W)	144W
Manual release	Key

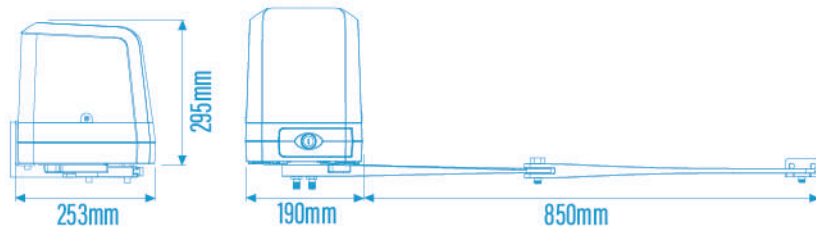
Reliable & Durable

- Design for swing gates with leaves up to 2.5m and 250kg
- Suitable for gates installed on large posts
- Manufactured with high quality materials for greater reliability
- Built-in control unit with plastic enclosure to protect against dust and insects

Safe & Easy To Operate

- Simple and precise limit switch adjustment
- Easy to operate release handle
- Back-up battery to ensure operation in case of power failure (optional)
- Large choice of programmable functions

Dimension



Photocells



Flashing Light



Transmitter



Battery

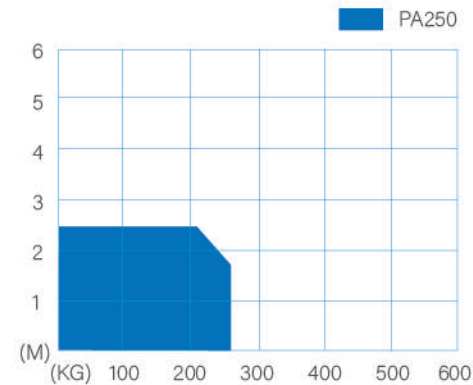
Bluetooth & Wi-Fi control is available .

Compatible with Eyeopen App via WBT module

Connect to the Eyeopen App remotely through Wi-Fi and Bluetooth for control.

Effortlessly share permissions with your family members.

Monitor Powertech's products and manage your gate using your smartphone.



PWA310 series



27

Motor	PWA310(400mm)	PWA310(600mm)
Category	Swing Gate Opener	Swing Gate Opener
Max gate length / Max gate weight	4M/400Kg	5M/500Kg
Power Supply	110-240Vac(50-60Hz)	110-240Vac(50-60Hz)
Gear type	Worm gear	Worm gear
Duty Cycle	50%	50%
IP Rating	IPX4	IPX4
Working / Operating temperature	-20-50°C	-20-50°C
Current (A)	0.87A	0.87A
Power (W)	180W	180W
Manual release	Allen Key	Allen Key

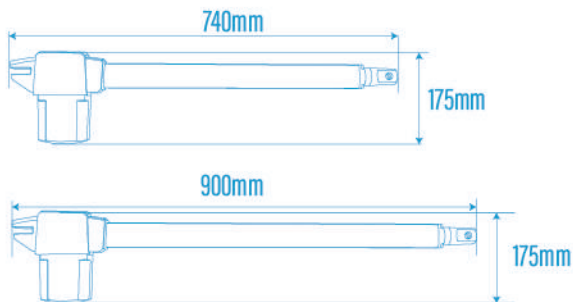
Powerful, Robust & Reliable

- Opening angle can be 120° MAX
- 38 functions for adjustment
- Slowdown area for smoother operation

Practical & Easy To Operate

- Hex key release for power failure
- Several operation modes to meet different installation scenario

Dimension



Control Box

Photocells

Flashing Light

Transmitter

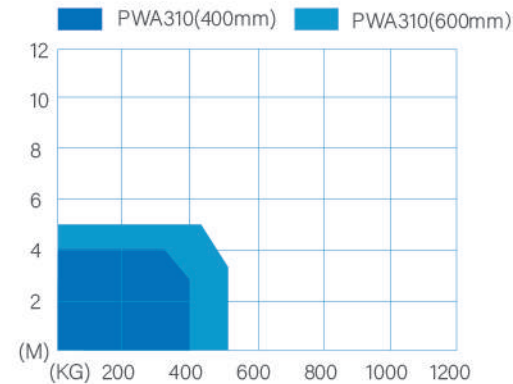
Bluetooth & Wi-Fi control is available .

Compatible with Eyeopen App via WBT module

Connect to the Eyeopen App remotely through Wi-Fi and Bluetooth for control.

Effortlessly share permissions with your family members.

Monitor Powertech's products and manage your gate using your smartphone.



PU350



Designed to operate down below the ground, leaves up to 3.5m and 350kg



29

Motor	PU350
Category	Undergroud swing gate opener
Max gate length / Max gate weight	3.5M/350Kg
Power Supply	24Vdc
Gear type	Worm gear
Duty Cycle	50%
IP Rating	IPX7
Working / Operating temperature	-20-50°C
Current (A)	10.5A
Power (W)	250W
Manual release	Key

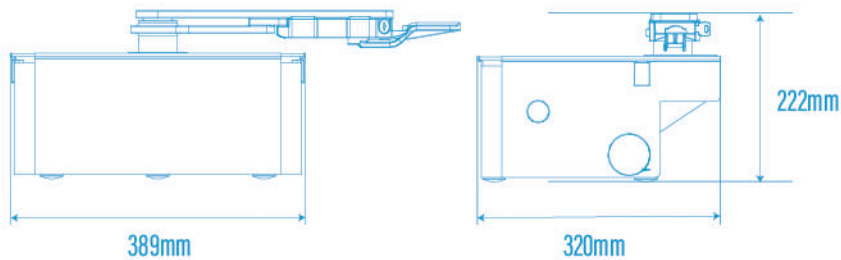
Reliable & Durable

- Design for swing gates with leaves up to 3.5m and 350kg
- DC swing system for better speed adjustment
- Manufactured with high quality materials for greater reliability

Practical & Easy To Operate

- Compatible with safety device and access control system.
- Easy parameters adjusting with digits led display and buttons.
- 6 categories / 20+ parameters meet the request of different gates.

Dimension



Control Box



Photocells



Flashing Light



Transmitter

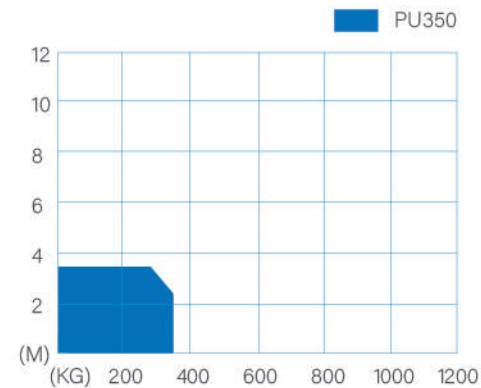


Battery

Bluetooth & Wi-Fi control is available .

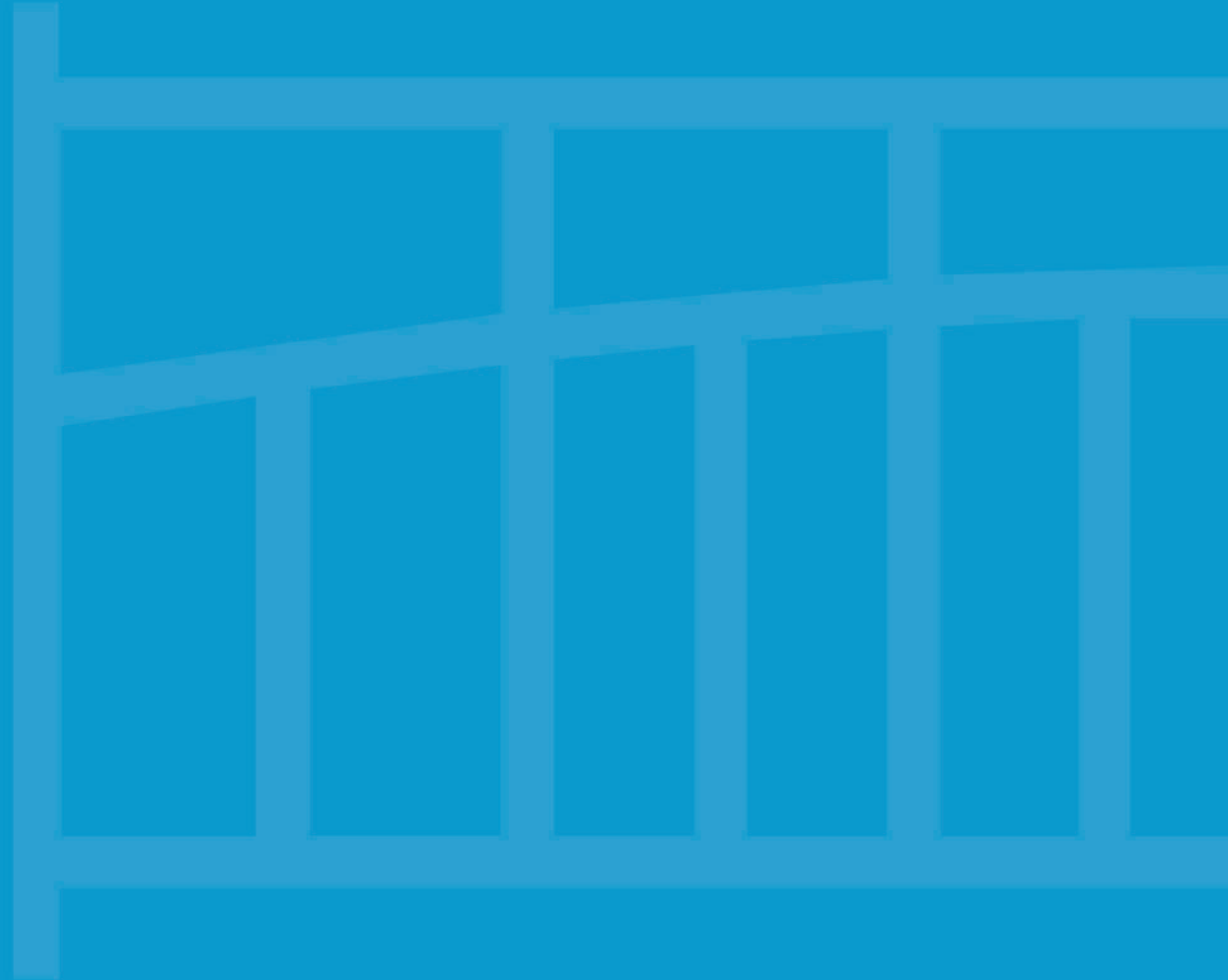
Compatible with Eyeopen App via WBT module

Connect to the Eyeopen App remotely through Wi-Fi and Bluetooth for control. Effortlessly share permissions with your family members. Monitor Powertech's products and manage your gate using your smartphone.



AUTOMATION FOR SLIDING GATES

AUTOMATION FOR SLIDING GATES





POWERTECH

PL500 series



Irreversible 24Vdc operator for heavy sliding gates



33

Motor	PL500	PL800
Category	Sliding Gate Opener	Sliding Gate Opener
Max gate length / Max gate weight	6M/500Kg	8M/800Kg
Power Supply	24Vdc	24Vdc
Gear type	Worm gear	Worm gear
Duty Cycle	70%	70%
IP Rating	IPX4	IPX4
Working / Operating temperature	-20-50°C	-20-50°C
Current (A)	5.5A	5.5A
Power (W)	144W	144W
Manual release	Key	Key

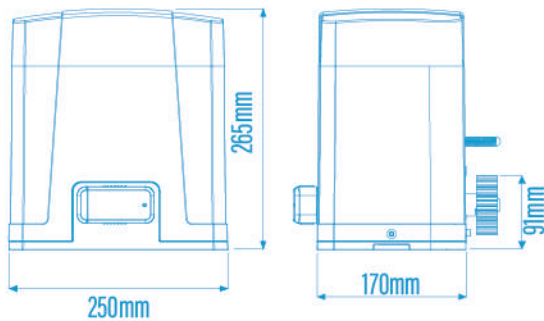
Compact, Yet Powerful

- Designed for sliding gates weighing up to 800kg
- Enhanced durability with die casting aluminum base
- Single-piece cover resistant to atmospheric agents

Practical & Easy To Operate

- Built-in control unit with LED display for easy configuration
- Back-up battery to ensure operation in case of power failure (optional)
- Large choice of programmable functions

Dimension



Photocells

Flashing Light

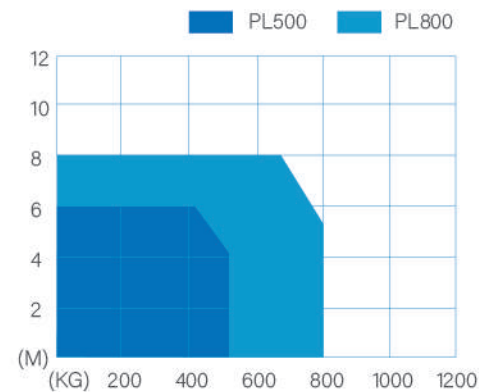
Transmitter

Battery

Bluetooth & Wi-Fi control is available .

Compatible with Eyeopen App via WBT module

Connect to the Eyeopen App remotely through Wi-Fi and Bluetooth for control. Effortlessly share permissions with your family members. Monitor Powertech's products and manage your gate using your smartphone.



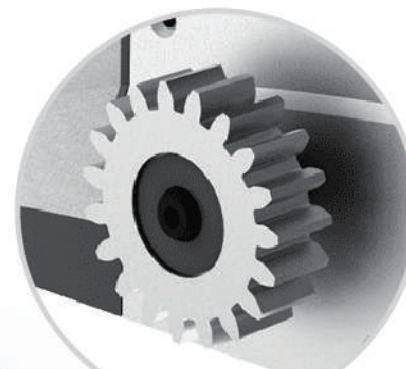
PL500

SPEEDY



Designed for high speed automation sliding gates weighing up to 500kg

35



Class leading speed up to 0.33m/s

Motor	PL500
Category	Sliding Gate Opener
Max gate length / Max gate weight	6M/500Kg
Power Supply	24Vdc
Gear type	Worm gear
Duty Cycle	70%
IP Rating	IPX4
Working / Operating temperature	-20-50°C
Current (A)	5.5A
Power (W)	144W
Manual release	Key

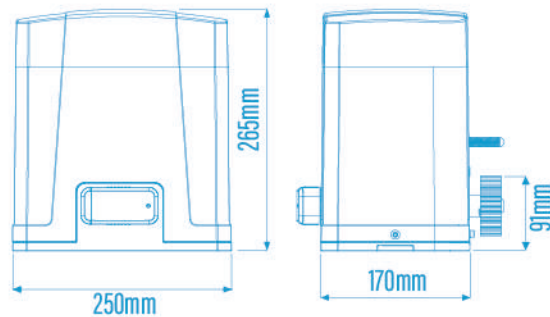
Quality High-Speed Automation

- Designed for sliding gates weighing up to 500kg
- Class leading speed up to 0.33m/s
- Enhanced durability with die casting aluminum base
- Single-piece cover resistant to atmospheric agents

Practical & Easy To Operate

- Built-in control unit with LED display for easy configuration
- Back-up battery to ensure operation in case of power failure (optional)
- Large choice of programmable functions

Dimension



Photocells

Flashing Light

Transmitter

Battery

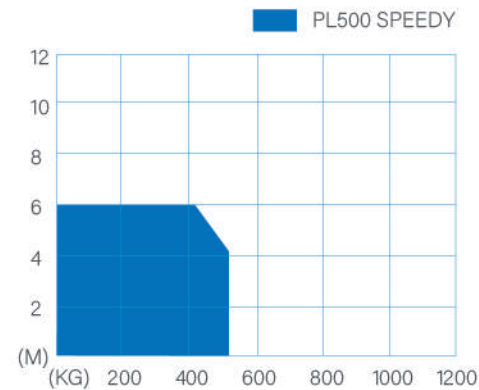
Bluetooth & Wi-Fi control is available .

Compatible with Eyeopen App via WBT module

Connect to the Eyeopen App remotely through Wi-Fi and Bluetooth for control.

Effortlessly share permissions with your family members.

Monitor Powertech's products and manage your gate using your smartphone.



PSA series



Irreversible 230Vac operator for sliding gates weighing up to 1500kg

37



Motor	PSA500	PSA1200	PSA1500
Category	Sliding Gate Opener	Sliding Gate Opener	Sliding Gate Opener
Max gate length / Max gate weight	6M/500Kg	12M/1200Kg	12M/1500Kg
Power Supply	230Vac	230Vac	230Vac
Gear type	Worm gear	Worm gear	Worm gear
Duty Cycle	20%	20%	20%
IP Rating	IPX4	IPX4	IPX4
Working / Operating temperature	-20-50°C	-20-50°C	-20-50°C
Current (A)	0.8A	1.85A	1.85A
Power (W)	250W	414W	414W
Manual release	Key	Key	Key

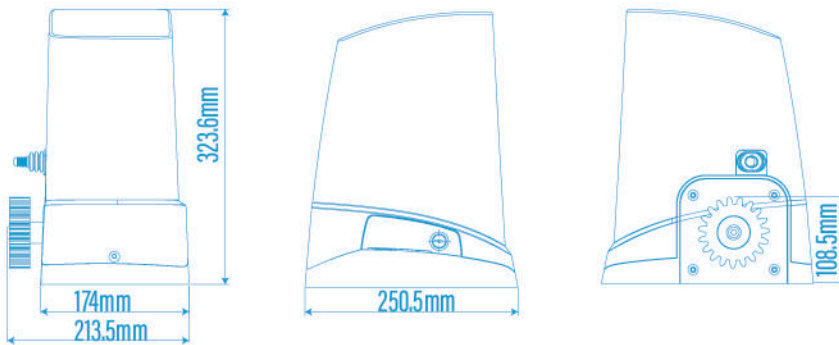
Streamline, Compact & Powerful

- Designed for sliding gates weighing up to 1500kg
- 230Vac operator for intensive use and heavy gate applications
- Compact and streamline design
- Single-piece cover resistant to atmospheric agents

Practical & Easy To Operate

- Built in control unit
- Easy access to release handle
- Large choice of programmable functions

Dimension



Photocells

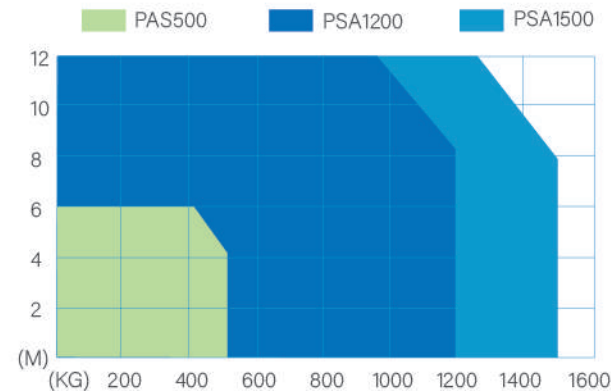
Flashing Light

Transmitter

Bluetooth & Wi-Fi control is available .

Compatible with Eyeopen App via WBT module

Connect to the Eyeopen App remotely through Wi-Fi and Bluetooth for control. Effortlessly share permissions with your family members. Monitor Powertech's products and manage your gate using your smartphone.



AUTOMATION FOR GARAGE DOORS

AUTOMATION FOR GARAGE DOORS





PG100 series



Adapted for all garage doors type
One solution for a wide range of garage doors



41

Motor	PG100-600N	PG100-800N	PG100-1000N	PG100-1200N
Category	Garage Door Opener	Garage Door Opener	Garage Door Opener	Garage Door Opener
Max gate length	8-10M ²	10-12M ²	12-14M ²	14-16M ²
Power Supply	24Vdc	24Vdc	24Vdc	24Vdc
Gear type	Worm gear	Worm gear	Worm gear	Worm gear
Duty Cycle	50%	50%	50%	50%
IP Rating	-	-	-	-
Working / Operating temperature	-20-50°C	-20-50°C	-20-50°C	-20-50°C
Current (A)	3A	3.3A	4.2A	5A
Power (W)	72W	80W	100W	120W
Manual release	Trolley	Trolley	Trolley	Trolley

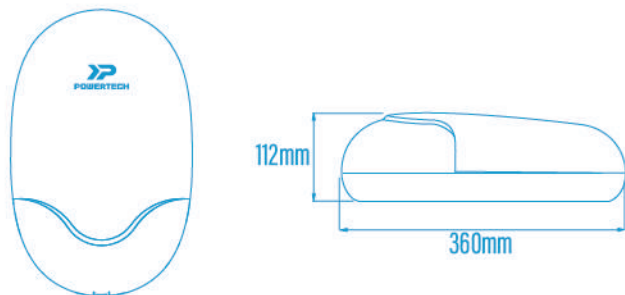
Adaptable Solution For A Wide Range Of Garage Doors

- Designed for garage door automation up to 16m²
- Smooth and silent operation
- Two rail options available: chain or belt driven

Reliable Functions

- Built in control unit with LED display for easy set up
- Built in LED courtesy light
- Back-up battery in case of power failure (optional)
- Large choice of programmable functions

Dimension



Photocells



Flashing Light



Transmitter

Bluetooth & Wi-Fi control is available .

Compatible with Eyeopen App via WBT module

Connect to the Eyeopen App remotely through Wi-Fi and Bluetooth for control.

Effortlessly share permissions with your family members.

Monitor Powertech's products and manage your gate using your smartphone.



PG200 series



Adapted for all garage doors type
Metal base plate

43



Motor	PG200-800N	PG200-1000N	PG200-1200N	PG200-1500N
Category	Garage Door Opener	Garage Door Opener	Garage Door Opener	Garage Door Opener
Max gate length / Max gate weight	10-12M ²	12-14M ²	14-16M ²	≤25M ²
Power Supply	24Vdc	24Vdc	24Vac	24Vdc
Gear type	Worm gear	Worm gear	Worm gear	Worm gear
Duty Cycle	50%	50%	50%	50%
IP Rating	-	-	-	-
Working / Operating temperature	-20-50°C	-20-50°C	-20-50°C	-20-50°C
Current (A)	3.3A	4.2A	5A	7A
Power (W)	80W	100W	120W	210W
Manual release	Trolley	Trolley	Trolley	Trolley

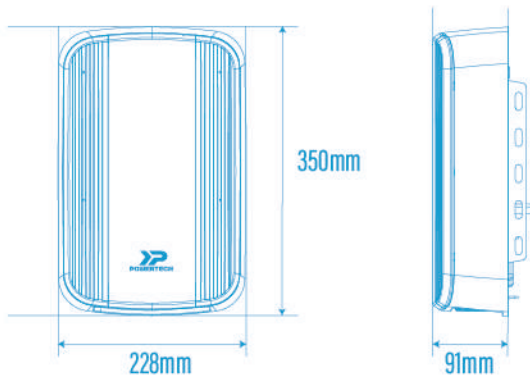
Reliable & Durable

- Designed for garage doors automation up to 25m²
- Metal base plate offers stability while installing the ceiling brackets
- Working with multiple remotes and operation devices

Practical & Easy To Operate

- Built-in control panel with LED display for easy set up
- Built-in LED courtesy light
- Back-up battery in case of power failure (optional)
- Large choice of programmable functions

Dimension



Photocells

Flashing Light

Transmitter

Bluetooth & Wi-Fi control is available .

Compatible with Eyeopen App via WBT module

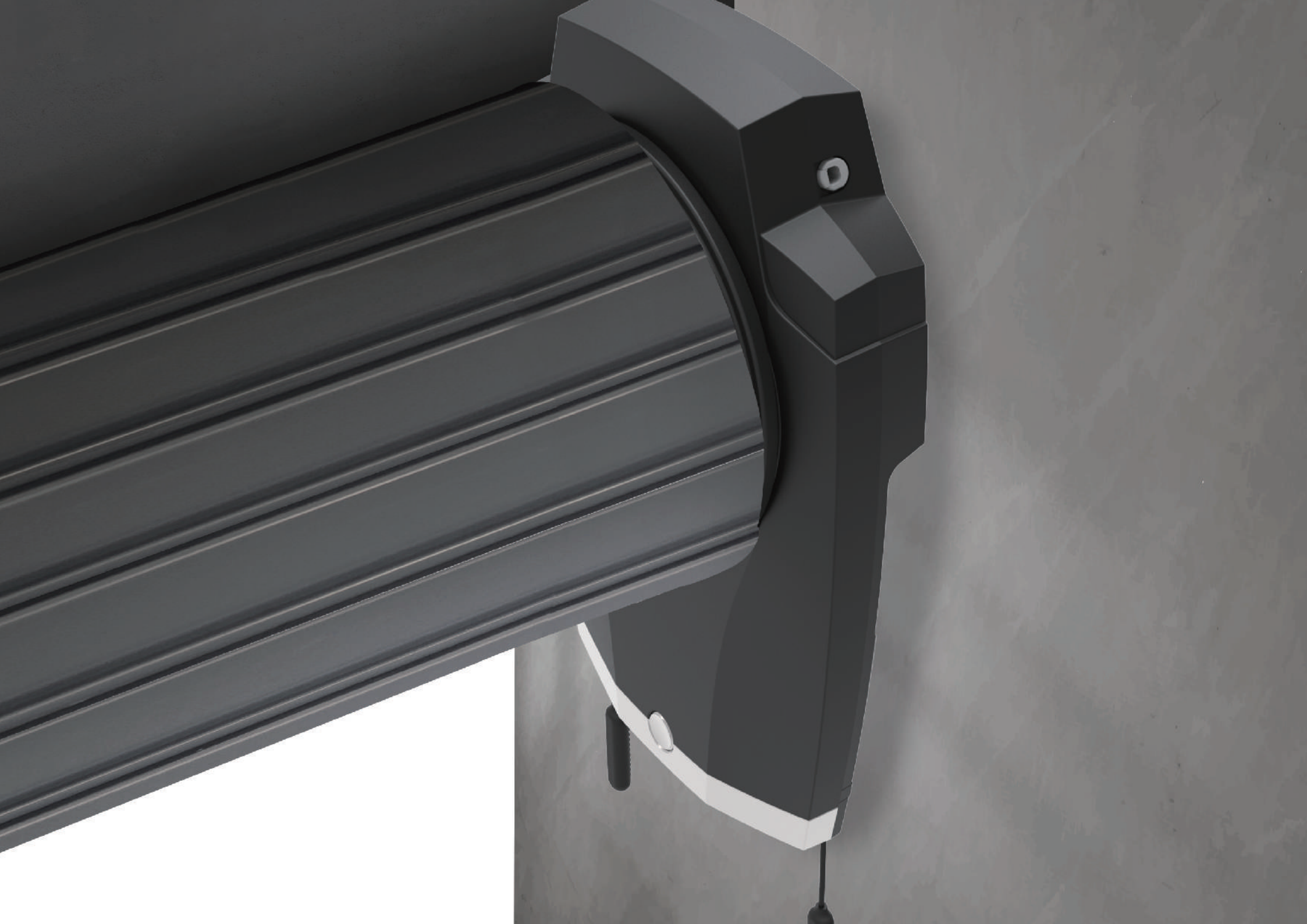
Connect to the Eyeopen App remotely through Wi-Fi and Bluetooth for control.
Effortlessly share permissions with your family members.
Monitor Powertech's products and manage your gate using your smartphone.



AUTOMATION FOR ROLLING GARAGE DOORS

AUTOMATION FOR GARAGE DOORS





PM60



Slim fit design to fit on majority of residential rolling doors



47

Motor	PM60
Category	Rolling door opener
Max gate length	18M ²
Power Supply	24Vdc
Gear type	Worm gear
Duty Cycle	20%
IP Rating	-
Working / Operating temperature	0-50°C
Current (A)	2.7-4A
Power (W)	120W
Manual release	By rope

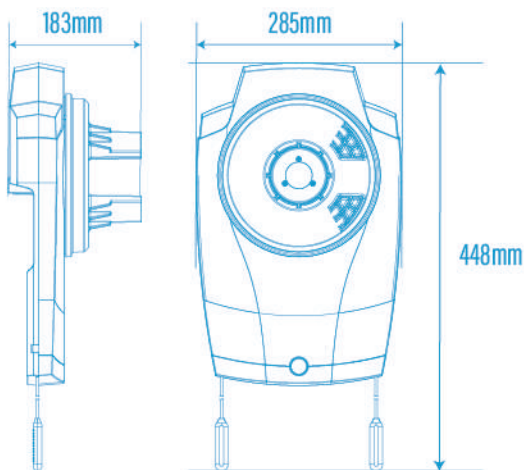
Practical & Quick Installation

- Slim fit design to fit on majority of residential rolling doors
- Left hand and right hand side installation

Safe & Easy To Operate

- Adjustable motor force for greater control of the different door operation
- Compatible with wide range of accessories and safety devices
- Multiple speed control on opening and closing
- LED courtesy light also can be control via Eyeopen App

Dimension



Photocells

Flashing Light

Transmitter

Bluetooth & Wi-Fi control is available .

Compatible with Eyeopen App via WBT module

Connect to the Eyeopen App remotely through Wi-Fi and Bluetooth for control.

Effortlessly share permissions with your family members.

Monitor Powertech's products and manage your gate using your smartphone.



ACCESSORIES

ACCESSORIES



ACCESSORIES

TRANSMITTER



**Transmitter 4 Channel
PR4**

Model
Frequency
Estimated Range

4 Channel Transmitter
433.92Mhz
100 meters

Operating Temperature
Dimension

-20° ~ 60°C
80x40x20mm



**Transmitter 4 Channel
PR2**

Model
Frequency
Estimated Range

4 Channel Transmitter
433.92Mhz
100 meters

Operating Temperature
Dimension

-20° ~ 60°C
106x53x20mm



**Transmitter 4 Channel
R1**

Model
Frequency
Estimated Range

4 Channel Transmitter
433.92Mhz
100 meters

Operating Temperature
Dimension
IP Ratings

-20° ~ 60°C
66x39x13mm
IPX4

Battery For Gate Opener



SWING

Application
Voltage

Swing gate
12V / 2.2Ax2pc

Dimension

70x47x103mm



SLIDING

Application
Voltage

Sliding gate
12V / 1.3Ax2pc

Dimension

98x44x58mm

ACCESSORIES

RACK



Nylon Rack

Material	Nylon	Dimension	1 meter
----------	-------	-----------	---------



Metal Rack

Material	Metal	Dimension	1 meter
----------	-------	-----------	---------

FLASHING LIGHT



**Flashing Light
PF1**

Power Supply	12-24V dc	Operating Temperature	-20° ~ 50°C
Installation	Vertical or horizontal	Dimension	205x80x75mm
Antenna	Built-in		



**Flashing Light
PF4**

Power Supply	24V dc	Operating Temperature	-20° - 55°C
Installation	Vertical	Dimension	140x143x61 mm
Antenna	Built-in		

ACCESSORIES

KEYPAD / KEY SELECTOR



**Wireless Keypad
KP3**

Model	Wireless Keypad
Frequency	433.92MHz
Estimated Range	50 meters

Dimension	75x75x39.55mm
IP Ratings	IP 54
Operating Temperature	-20° ~ 50°C



**Key Selector
PKS1**

Model	Key selector
Operating Temperature	-20° ~ 50°C

IP Ratings	IP54
------------	------

53

PHOTOCELLS



PH2

Power Supply	12-24V dc
Frequency	433.92Mhz
Estimated Range	20 meters

IP Ratings	IP44
Operation Indicator	Red Led (RX): Beam interrupted Green LED (TX) Beam aligned

RECEIVER BOX



PRB1

Power Supply	12-24V DC
Frequency	433.92Mhz
Estimated Range	50 meters

Dimension	106x53x20mm
IP Ratings	IP54

ACCESSORIES

PUSH BUTTON



**Push Button
PPB1**

| Operating Temperature

-20° ~ 50°C

| Dimension

85x61x40mm



**Wireless Push Button
PPB2**

| Operating Temperature

-20° ~ 50°C

| Dimension

85x61x40mm

Gate Opener Revolution with AI Solutions.

Powertech Automation Inc.

Address: 11F., No.100-1, Minquan Rd., Xindian Dist., New Taipei City 231, Taiwan

TEL: +886 2 86675222 FAX: +866 2 86675223 Email: sales@powertech.tw

Copyright © 2024 Powertech Automation Inc. All Rights Reserved.