

# SWING GATE OPENER

PA250

 **POWERTECH**



## Reliable & Durable

- Design for swing gates with leaves up to 2.5m and 250kg
- Suitable for gates installed on large posts
- Manufactured with high quality materials for greater reliability
- Built-in control unit with plastic enclosure to protect against dust and insects

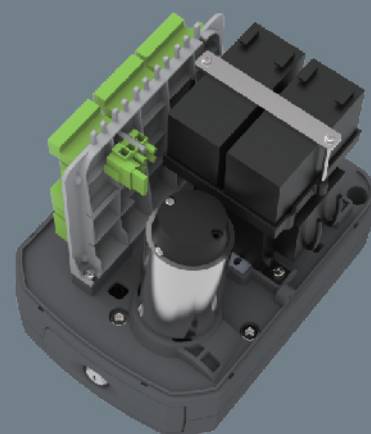
## Safe & Easy To Operate

- Simple and precise limit switch adjustment
- Easy to operate release handle
- Back-up battery to ensure operation in case of power failure (optional)
- Large choice of programmable functions

## Smartphone Control

- Control your gates through your smartphone anytime, anywhere
- Compatible with the Eyeopen App

Motor	PA250
Category	Articulated Arm Opener
Ma x gate length / Max gate weight	2.5M/250Kg
Power Supply	110-240Vac (50-60Hz)
Motor Power Supply	24Vdc
Gear type	Worm gear
Force	20%
IP Rating	IP44
Working / Operating temperature	-20~50°C
Current (A)	6A
Power (W)	144W
Manual release	Tool or Key
Dimensions	256x187x267mm



# PA250

