



PSA SERIES

SLIDING GATE OPERATOR

for sliding gates - 230V ——— EN



INDEX

A. SAFTY INSTRUCTION

3

B. PRODUCT DESCRIPTION AND INTENDED USE

4

B1. DESCRIPTION OF DEVICE

4

B2. DIMENSIONS

4

C. INSTALLATION

5

C1. INSTALLATION OF GEAR MOTOR AND GEAR RACKS AND LIMIT SWITCH

5

C2. MANUAL RELEASE OF THE MOTORS

6

D. COMISSIONING

7

D1. A510U CONTROL BOARD

7

D2. REMOTE LEARNING

8

D3. SYSTEM LEARNING

8

E. SMARTPHONE CONTROL WITH EYEOPEN MOBILE APPLICATION

9

E1. WB1 WI-FI MODULE

9

E2. QUICK SET UP GUIDE

9-11

A. SAFTY INSTRUCTION

WARNING!

Please read this instruction manual carefully before the installation of gate-automated system.

This manual is exclusively for qualified installation personnel. Powertech Automation Inc. is not responsible for improper installation and failure to comply with local electrical and building regulations.

Keep all the components of the kit content and this manual for further consultation.

In this manual, please pay extra attention to the contents marked by the symbol: 

Be aware of the hazards that may exist in the procedures of installation and operation of the gate-automated system.

Besides, the installation must be carried out in conformity with local standards and regulations.

If the system is correctly installed and used following all the standards and regulations, it will ensure a high degree of safety.

Make sure that the gates work properly before installing the gate-automated system and confirm the gates are appropriate for the application.

Do not let children operate or play with the gate-automated system.

Do not cross the path of the gate-automated system when operating.

Please keep all the control devices and any other pulse generator away from children to avoid the gate-automated system being activated accidentally.

Do not make any modifications to any components except that it is mentioned in this manual.

Do not try to manually open or close the gates before you release the gear motor.

If there is a failure that cannot be solved and is not mentioned in this manual, please contact qualified installation personnel.

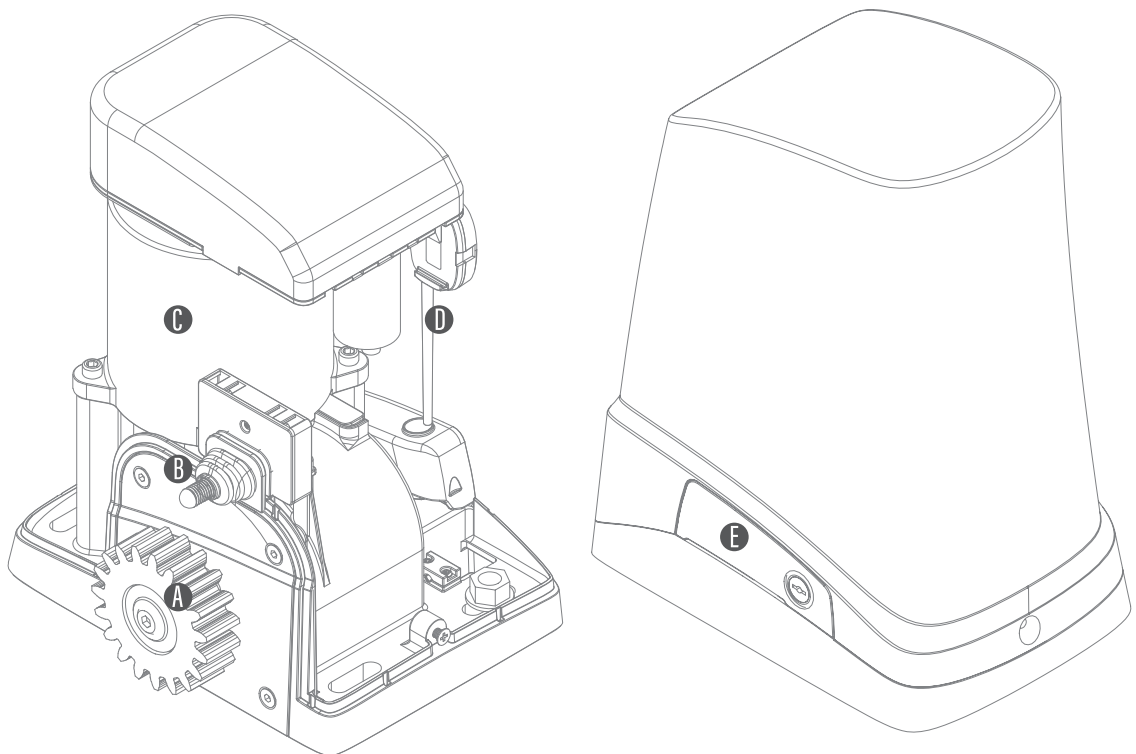
Do not use the gate-automated system before all the procedures and instructions have been carried out and thoroughly read.

Test the gate-automated system weekly and have qualified installation personnel to check and maintain the system at least every 6-month.

Install warning signs (if necessary) on the both sides of the gate to warn the people in the area of potential hazards.

B.PRODUCT DESCRIPTION AND INTENDED USE

B1. DESCRIPTION OF DEVICE



A. Operation gear

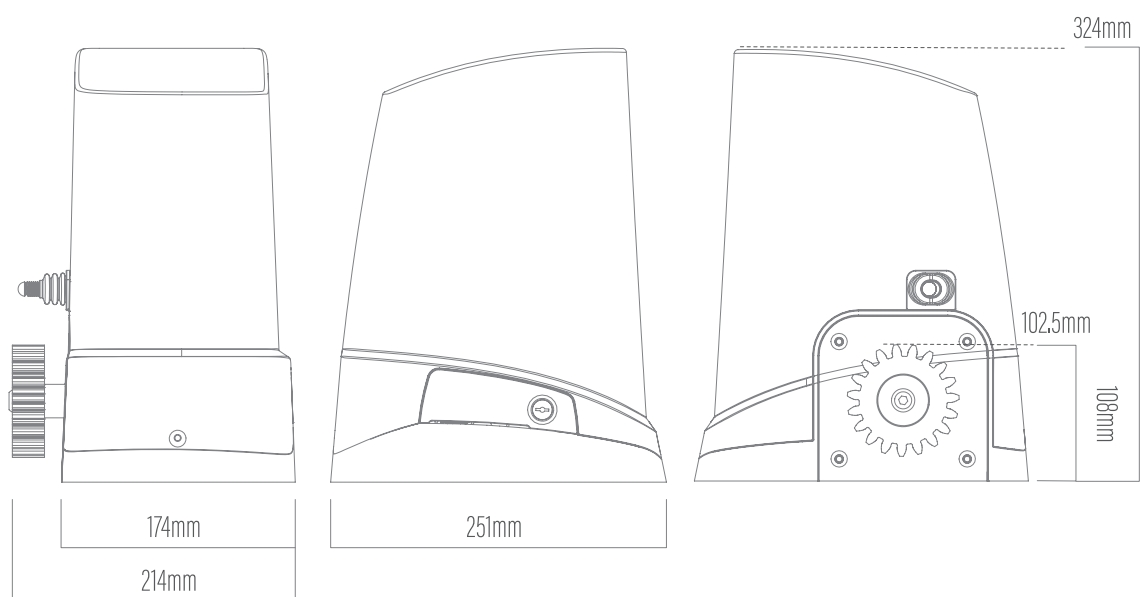
B. Limit switch

C. Motor 230V

D. Wi-Fi Box

E. Release device

B2. DIMENSIONS



C. INSTALLATION

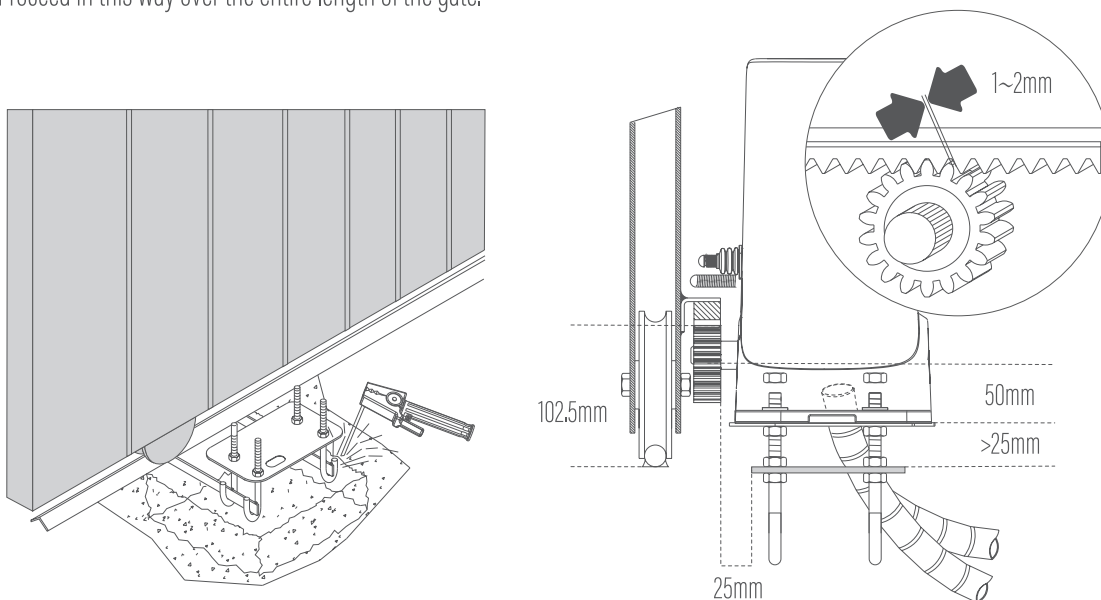
C1. INSTALLATION OF GEAR MOTOR AND GEAR RACKS AND LIMIT SWITCH

● SUPPORT PLATE INSTALLATION

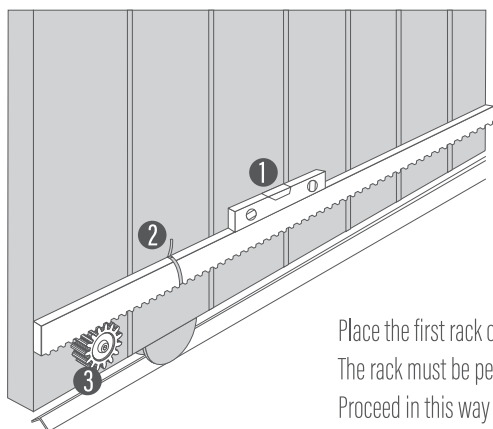
Place the first rack on the driving pinion and trace the drilling locations completely.

The rack must be perfectly horizontal. Mark a trait on the top of rack.

Proceed in this way over the entire length of the gate.



● RACK INSTALLATION

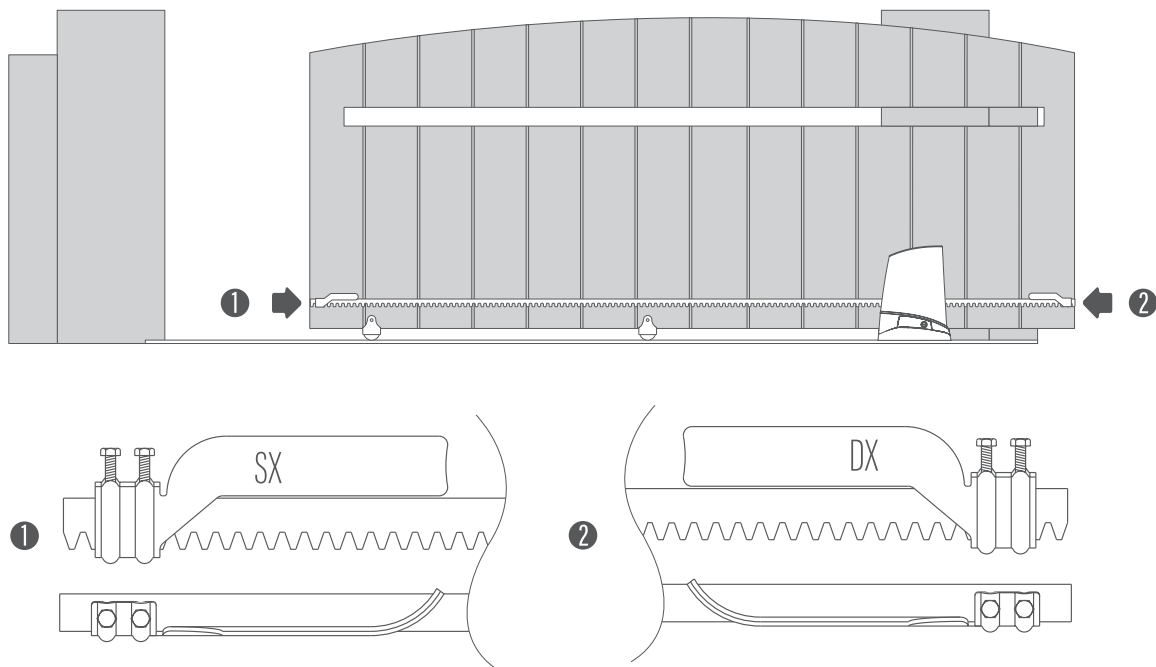


Place the first rack on the driving pinion and trace the drilling locations completely.

The rack must be perfectly horizontal. Mark a trait on the top of rack.

Proceed in this way over the entire length of the gate.

● SET UP THE LIMIT SWITCHES



C2. MANUAL RELEASE OF THE MOTORS

In the case of power failure, for emergency release of the motor, please follow the procedure below :

● TO UNLOCK THE DEVICE

1. Push the lid of the release chamber and move rightward.
2. Insert the key and turn clockwise to unlock the device.
3. Turn counterclockwise to release the motor.

figure 1

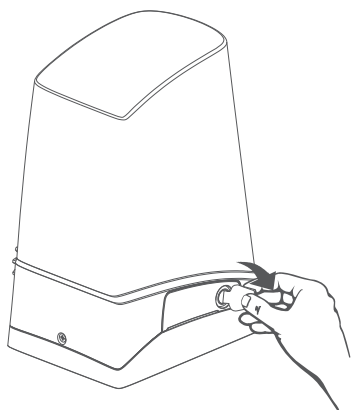


figure 2

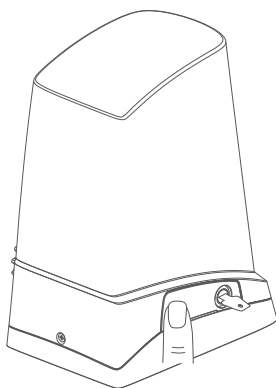
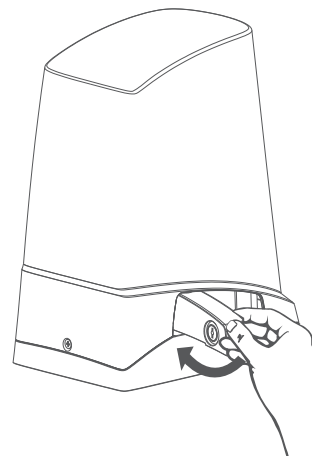
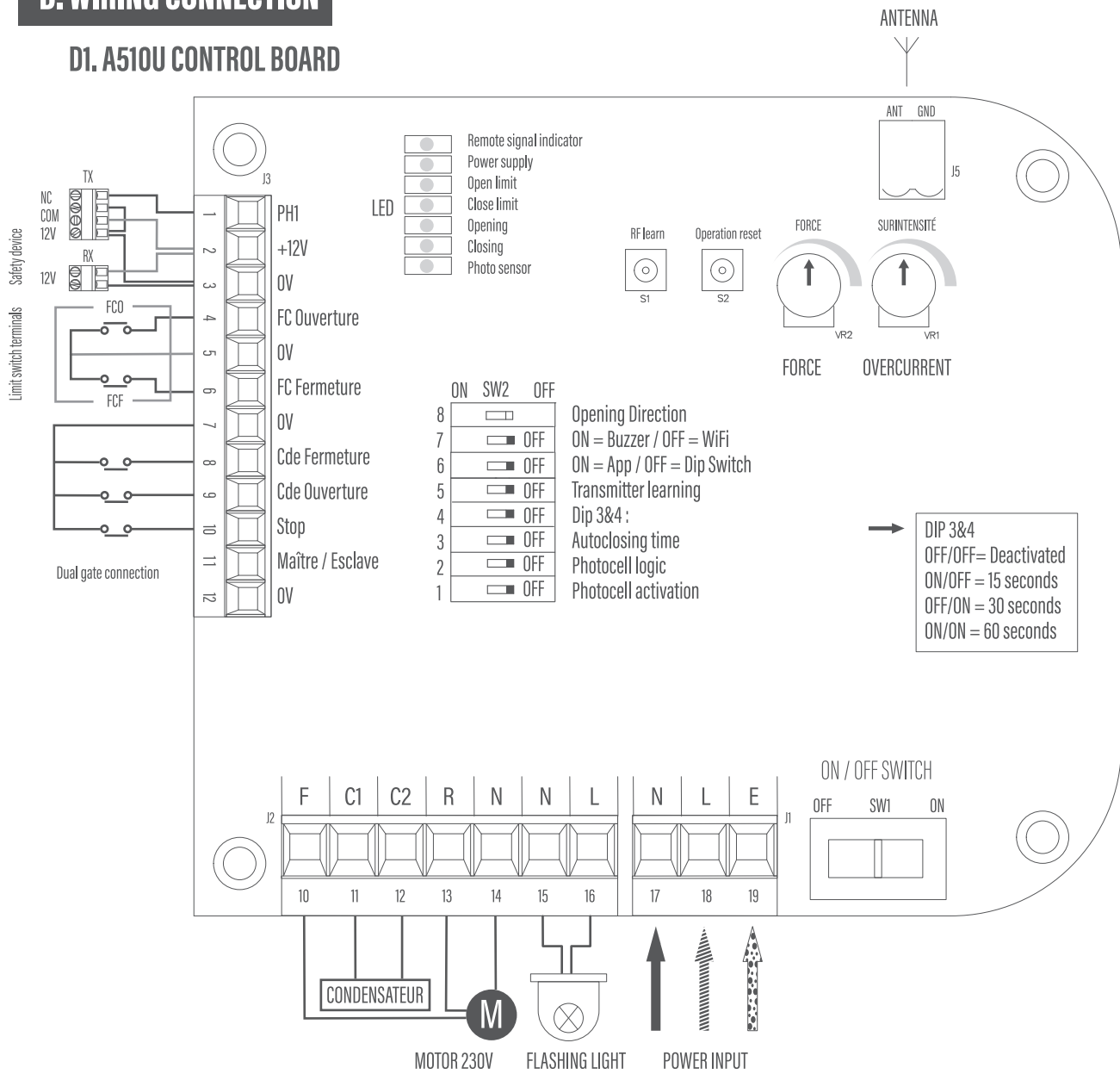


figure 3

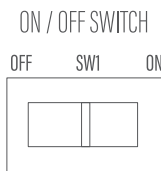
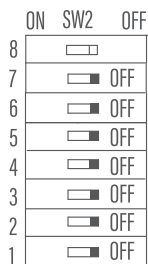


D. WIRING CONNECTION

D1. A510U CONTROL BOARD



● DIP SWITCH AND REMOTE



SW2_8	Operation direction
SW2_7	Alarm buzzer
SW2_6	Wi-Fi
SW2_5	Remote mode
SW2_4	Auto-closing
SW2_3	Auto-closing
SW2_2	Safety device function mode
SW2_1	Photocell activation
SW2	Power supply

D2. REMOTE LEARNING

! **MANDATORY** : Before processing system learning, you must first memorize the remotes.

● REMOTE LEARNING

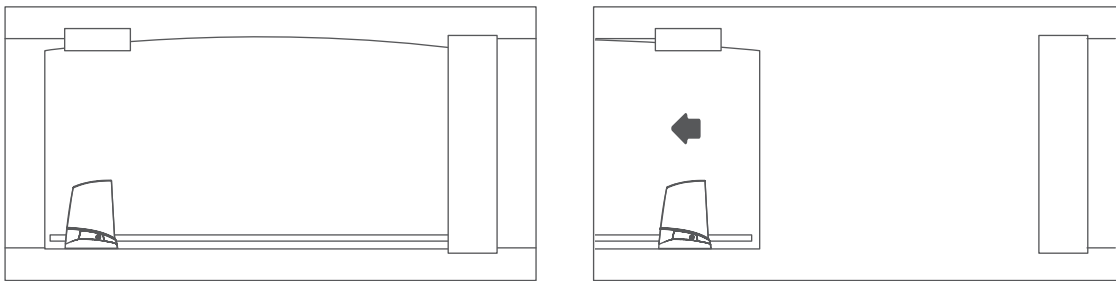
1. Press and hold RF button (programming), After 3 seconds, LED 1 turns ON,button
2. Press A on the remote, The LED blinks twice,
3. Wait for 10 seconds for LED1 to turn off and exit remote learning mode.

💡 To erase all memorized remote, press and hold RF button for 10 seconds. You can memorize up to 50 remotes.

D3. SYSTEM LEARNING

Step 1. Before starting system learning, please manually release the motor and move the gate to the middle/half-open position.

OPERATION DIRECTION _OFF



Step 2. Close the gate to start the system learning. The gate will move to fully close position.

Step 3. Open the gate till the fully open position and the system learning is done.

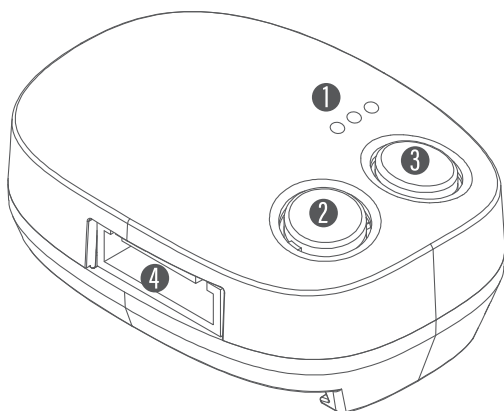
NOTE. Each operation during system learning from open to closed or closed to open position must be completed within 150 seconds. Otherwise the motor will stop to prevent the overheat status.

Reset System Learning :

Press the button "S2" for 5 seconds, the LED1 blinks 3 times indicating that the previous system learning is reinitialized. The motor should be operated by following the system learning process from Step 1 to Step 5 as above.

E. SMARTPHONE CONTROL WITH EYEOPEN MOBILE APPLICATION

E1. WB1 WI-FI MODULE



- ① LED INDICATORS
- ② R BUTTON (RESET)
- ③ P BUTTON (PAIR)
- ④ TERMINALS

LED INDICATORS DESCRIPTION :

BLUE: The blue LED blinks before pairing and stays ON when successfully connected to the WiFi.

GREEN : The green LED blinks once when the WB1 module receives a signal from the application.

If the WiFi is disconnected or the WiFi signal is weak, the green LED blinks constantly.

RED : Indicates that the system is disconnected or WiFi password is incorrect.

The range between WB1 module and router is 30 meters (in open space).

● RESET THE MODULE

Hold the R button for 5 seconds , then press the P button for 1 second.

E2. QUICK SET UP GUIDE

💡 Select which smartphone will be the « owner » smartphone

The owner is able to give authorization to the other shared smartphones.

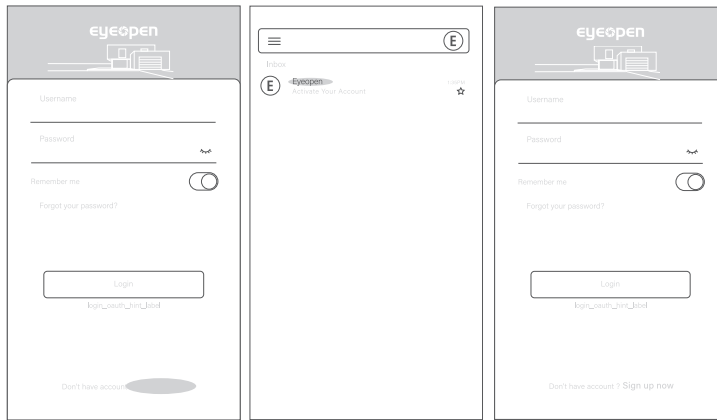
Activate and connect the smartphone to the WiFi that will be connected to the WB1 WiFi module.

EYEOPEN is only compatible with 2.4Ghz WiFi network

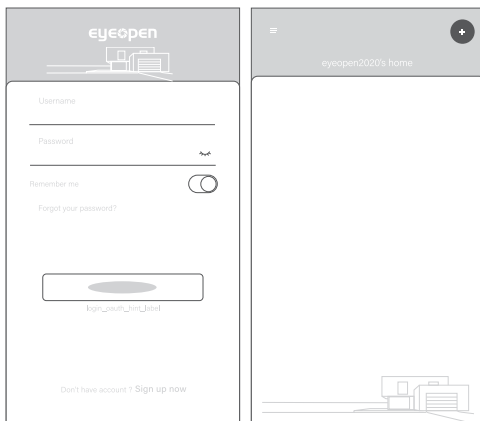
1. Download the EYEOPEN application on your smartphone .



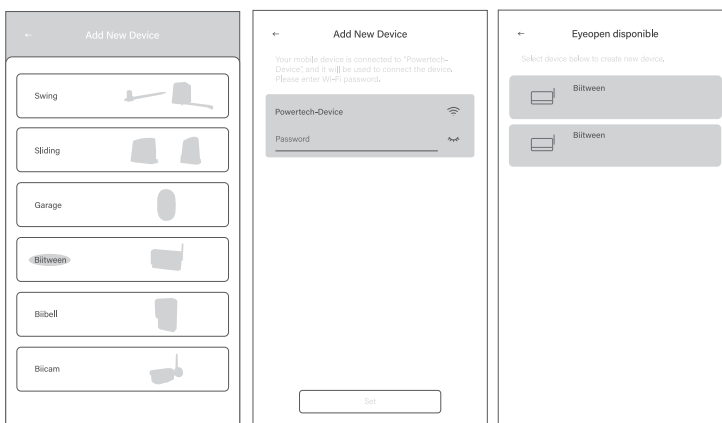
2. Sign up and create login and password. Confirm and exit EYEOPEN application,
Open your mailbox and activate the link received in the email.



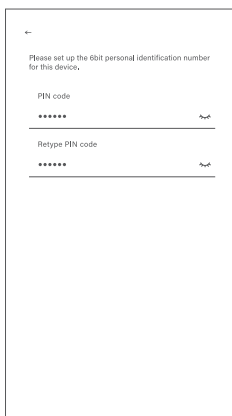
3. Open and login in the application.



4. Tap the (+) icon to add device and follow the instructions. Key in and confirm the WiFi password and select the device.

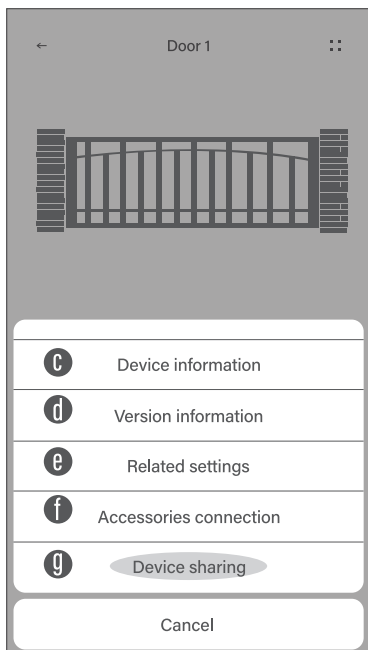
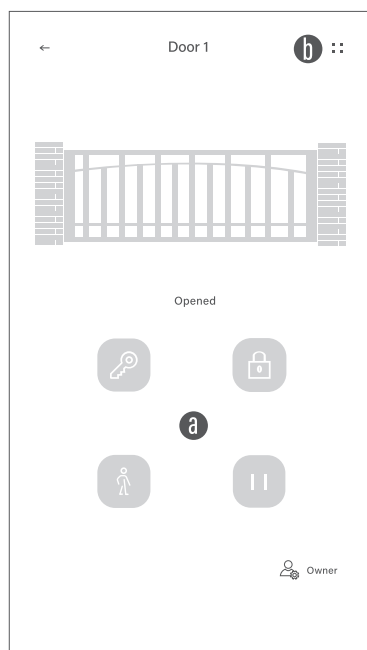


5. Set up the 6 digits PIN Code twice and confirm,



💡 By default, choose 123456 (Twice). You can later modify
This PIN code once you are more comfortable with the application.

6. You have now access to the operation interface of the device.
You can control, modify settings, add accessories or share the access.



- a. Control buttons
- b. Setting interface
- c. Device information
- d. Version information
- e. Parameter settings
- f. Accessories connection
- g. Device sharing

