

# PL600/1000

SERIES SLIDING GATE OPENER



POWERTECH

4DC

M LEAVES UP TO  
12M

UP TO  
KG  
1000KG

SMARTPHONE  
CONTROL

RELEASE  
DEVICE

BACKUP  
BATTERY



# PL600/1000 SERIES

## Powerful, Robust & Reliable

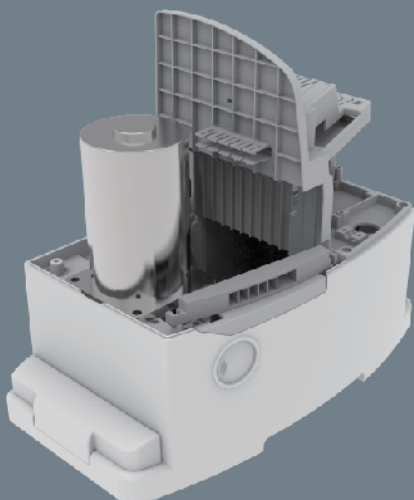
- High performance operator designed for sliding gates up to 1000kg
- Waterproof, scratch resistant, and UV protected enclosure for increased durability
- Suited for heavy gates application

## Practical & Easy To Operate

- Built-in control unit that features adjustable speed and force output
- Manual release handle, resistant to atmospheric agents
- Back-up battery in case of power failure(optional)

## Smartphone Control

- Control your gates through your smartphone anytime, anywhere
- Compatible with the Eyeopen App



Motor	PL 600	PL 1000
Category	Sliding Gate Opener	Sliding Gate Opener
Ma x gate length / Max gate weight	8M/600Kg	12M/1000Kg
Power Supply	110-240Vac (50-60Hz)	110-240Vac (50-60Hz)
Motor Power Supply	24Vdc	24Vdc
Gear type	Worm gear	Worm gear
Force	20%	20%
IP Rating	IP44	IP44
Working / Operating temperature	-20-50°C	-20-50°C
Current (A)	6A	6A
Power (W)	144W	144W
Manual release	Key	Key
Dimensions	333x216x287mm	333x216x287mm